

**SaVi Key Pad/
Stand
Alone Controller**



DESCRIPTION

The SaVi™ Keypad controller provides eight assignable buttons (1-8) and the Next and Previous keys (+/-). This product was developed to allow end users to have instant access to pre-assigned scenes, each scene having a limit of 1000 different steps. In addition to the eight assigned scenes, there are 247 other scenes available for playback. These then are accessible through the next/ previous buttons, or can be set to run sequentially with an accuracy of 4 hundredths of a second. This product fits into any single or double gang (US) standard electrical box.

PROJECT: _____

TYPE: _____

VOLTAGE: _____

NOTES: _____

**SaVi Key Pad and
512 Controller System**
(key pad NOT sold separately)



ORDERING INFORMATION

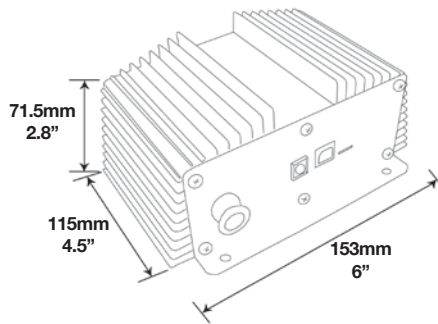
MODEL

SaViKeyPad-L - 120 volt (includes SaVi 512-EL - Stand Alone Controller / Software and Controller Cable) - USB

SaViKeyPad-EL - Ethernet Version

SaViKeyPad-H - 240 volt (includes SaVi 512-EH - Stand Alone Controller / Software Controller Cable)

SaViKeyPad-EH - Ethernet Version



PROJECT: _____

TYPE: _____

VOLTAGE: _____

NOTES: _____

SaVi Stand Alone Controller

DESCRIPTION

The Savi-512 STAND ALONE CONTROLLER, is a fully functional DMX Control and software system that allow you to create custom lighting scenes, shows, or effects. USB or ethernet interface is specifically equipped with memory which allows it to work in Stand Alone mode in case of PC-failure or restricted use. In Stand Alone mode the Savi-512 STAND ALONE CONTROLLER is equipped with a connector which allows it to be externally-powered (120VAC to 9.0-15Vdc, @ 600mA or 240VAC to 9.0-15VDC, @ 600mA). In Stand Alone mode, the interface can release up to 255 scenes which will be called back in numerical order by pressing "Previous" or "Next". Each of these scenes can have up to 1000 steps. Individual scenes can be assigned to a particular Play-back/ Recall button, 1-8. Due to its very competitive price and its remarkable performance and mini-size, this product is ideally suited for small or large-scale settings including stores, restaurants, hotels, clubs, architectural lighting, parks or exhibitions.

ORDERING INFORMATION

MODEL

SaVi-512-L Stand Alone DMX Controller: 120 volt: USB port

SaVi-512-H Stand Alone DMX Controller: 240 volt: USB port

SaVi-512-EL Stand Alone DMX Controller: 120 volt: Ethernet

SaVi-512-EH Stand Alone DMX Controller: 240 volt: Ethernet

ACCESSORIES

10.0610: SaVi key pad-10 button

17.6000: SaVi key pad control cable -12 conductor- 20' length

16.6000: 5-pin male & 3-pin female adapter

16.6001: 3-pin male & 5-pin female adapter

17.6100: USB AB 3' cable