

## SaVi -Control Systems



**SaVi Keypad** controller provides eight assignable buttons (1-8) and the Next and Previous keys (+/-). This product was developed to allow end users to have instant access to pre-assigned scenes, each scene having a limit of 1000 different steps. In addition to the eight assigned scenes, there are 247 other scenes available for playback. These then are accessible through the next/ previous buttons, or can be set to run sequentially with an accuracy of 4 hundredths of a second. This product fits into any single or double gang (US) standard electrical box.

# SAVI

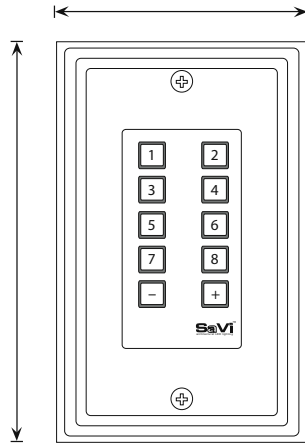
## SaVi-512 Stand Alone Controller

The SAVI-512 STAND ALONE CONTROLLER, is a fully functional DMX Control and software system that allow you to create custom lighting scenes, shows, or effects. USB or ethernet interface is specifically equipped with memory which allows it to work in Stand Alone mode in case of PC-failure or restricted use. In Stand Alone mode the SAVI-512 STAND ALONE CONTROLLER is equipped with a connector which allows it to be externally-powered (120VAC to 9.0-15Vdc, @ 600mA or 240VAC to 9.0-15VDC, @ 600mA). In Stand Alone mode, the interface can release up to 255 scenes which will be called back in numerical order by pressing "Previous" or "Next". Each of these scenes can have up to 1000 steps. Individual scenes can be assigned to a particular Play-back/ Recall button, 1-8. Due to its very competitive price and its remarkable performance and mini-size, this product is ideally suited for small or large-scale settings including stores, restaurants, hotels, clubs, architectural lighting, parks or exhibitions.



# TECHNICAL SPECIFICATIONS

## SaVi Key Pad/ Stand Alone Controller



**SaVi Key Pad and  
512 Controller System**  
(key pad NOT sold separately)



### ORDERING INFORMATION

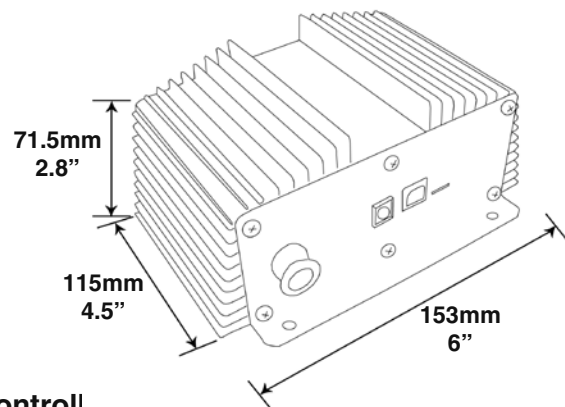
MODEL

SaViKeyPad-L - 120 volt (includes SaVi 512-EL - Stand Alone Controller / Software and Controller Cable) - USB

SaViKeyPad-EL - Ethernet Version

SaViKeyPad-H - 240 volt (includes SaVi 512-EH - Stand Alone Controller / Software Controller Cable)

SaViKeyPad-EH - Ethernet Version



**SaVi Stand Alone Control ...**

### ORDERING INFORMATION

MODEL

SaVi-512-L Stand Alone DMX Controller: 120 volt: USB port  
 SaVi-512-H Stand Alone DMX Controller: 240 volt: USB port  
 SaVi-512-EL Stand Alone DMX Controller: 120 volt: Ethernet  
 SaVi-512-EH Stand Alone DMX Controller: 240 volt: Ethernet

ACCESSORIES

10.0610: SaVi key pad-10 button  
 17.6000: SaVi key pad control cable -12 conductor- 20' length  
 16.6000: 5-pin male & 3-pin female adapter  
 16.6001: 3-pin male & 5-pin female adapter  
 17.6100: USB AB 3' cable