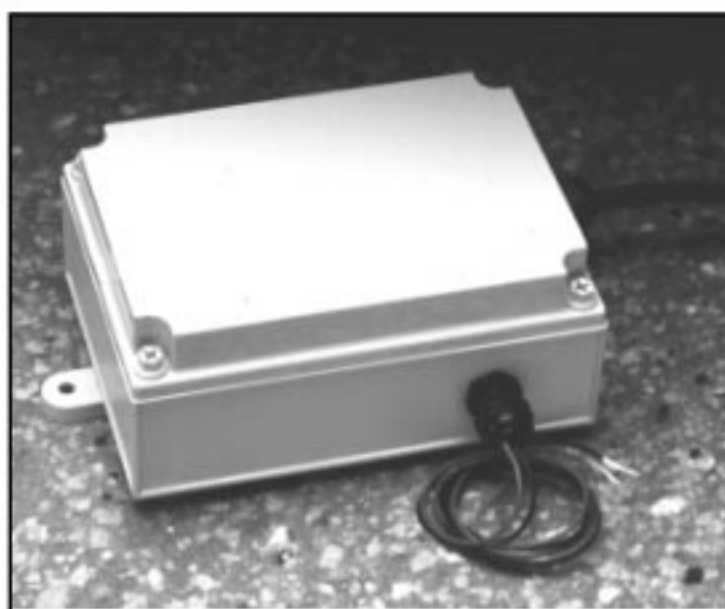


INSTALLATION MANUAL

Model: 600C

SYNCHRONOUS MASTER CONTROL



SUPERVISION[®]
INTERNATIONAL

SPECIFICATIONS	2
SYSTEM WIRING DIAGRAM	3
WIRE CONNECTIONS FOR MASTER CONTROLLER & SLAVE UNIT	4
MASTER CONTROL BOARD LAYOUT	5
OPERATING INSTRUCTIONS & SWITCH SETTINGS	6
TROUBLESHOOTING/WARRANTY	7

600C MASTER CONTROL SYSTEM

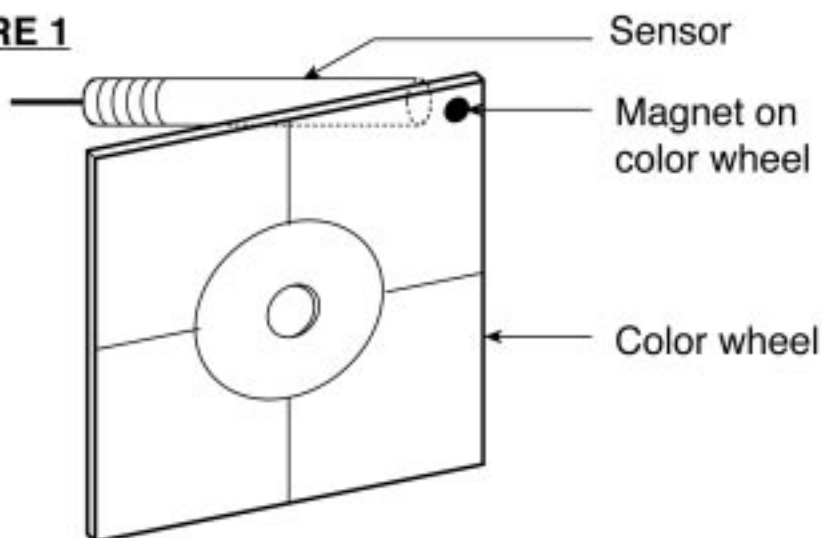
The 600C Master Control unit is designed to synchronize the color wheel rotation between two or more light sources. The 600C is an external unit separate from the light source. It can only be used with light sources that have an internal slave control and sensor. The 600C is parallel wired to each light source.

The 600C has the following operating parameters:

Mode: Four or eight color wheel
Stop at each color (4 color only)
Stop at "Home" only (see fig. 1 below)
Minute or second settings
(refer to page 6 for setting instructions)

Dwell: SETS THE TIME THE COLOR WHEEL will remain on each color or at the "Home" position. (Refer to page 6 for setting instructions.)

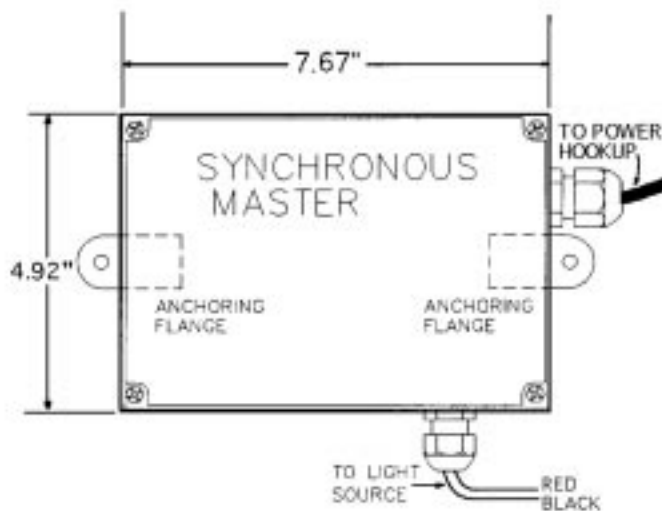
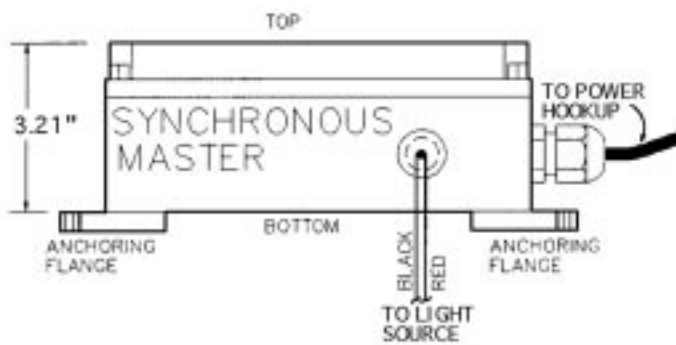
FIGURE 1



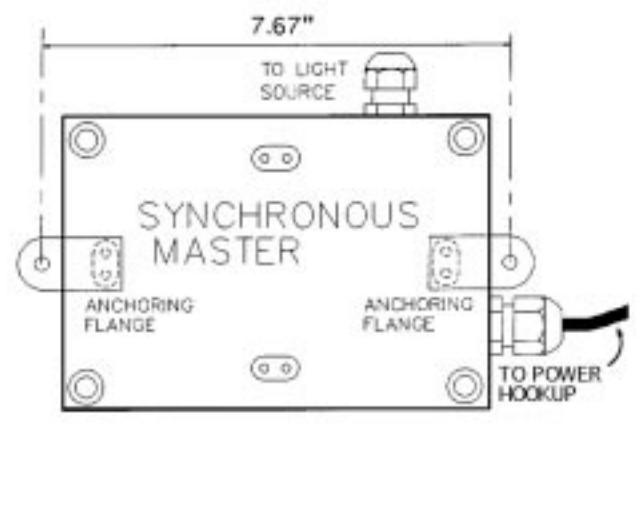
Home Position:
is when the magnet
on the color wheel
is aligned with the
sensor.

FIGURE 2

SIDE VIEW



TOP VIEW



BOTTOM VIEW

Specifications:

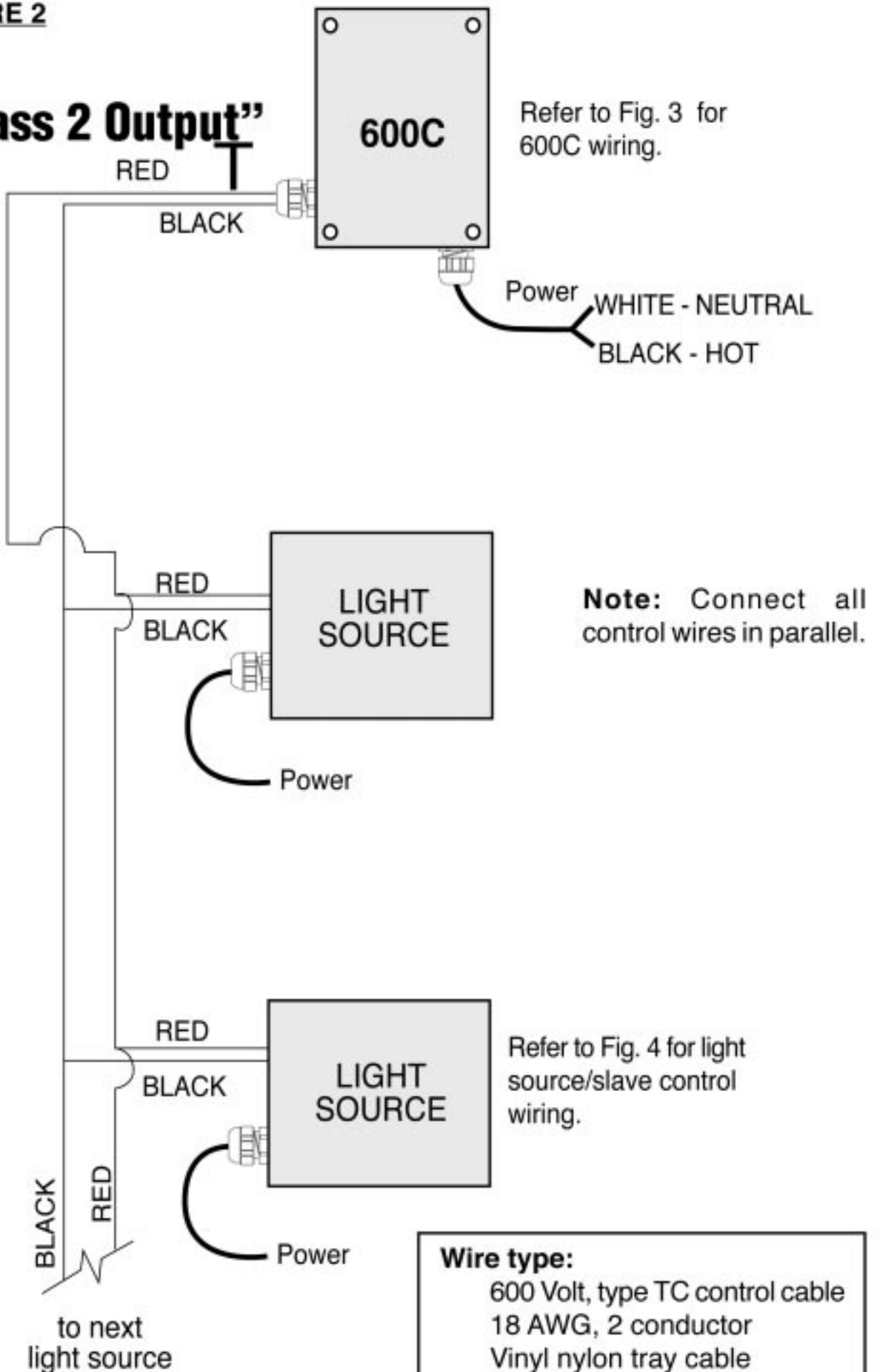
- Voltage:** 120V or 220-240V
- Dimensions:** 3.21"H x 4.92"W x 7.67"L
- Construction:** Plastic
- Location Listing:** indoor/outdoor
- Maximum Number Light Sources:** 35

Wire type:

- 600 Volt, type TC control cable
- 18 AWG, 2 conductor
- Vinyl nylon tray cable
- Sunlight resistant, suitable for direct burial.

FIGURE 2

“Class 2 Output”



Refer to Fig. 3 for 600C wiring.

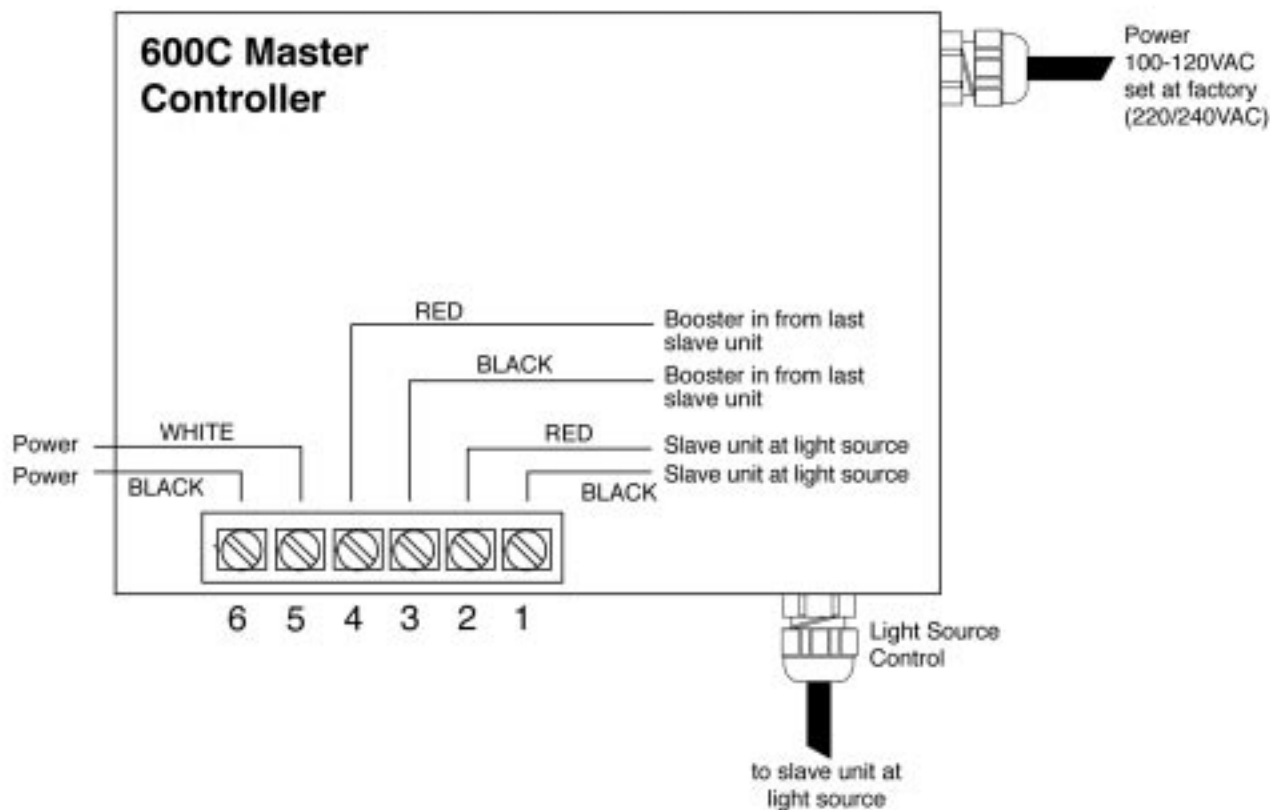
Note: Connect all control wires in parallel.

Refer to Fig. 4 for light source/slave control wiring.

Wire type:

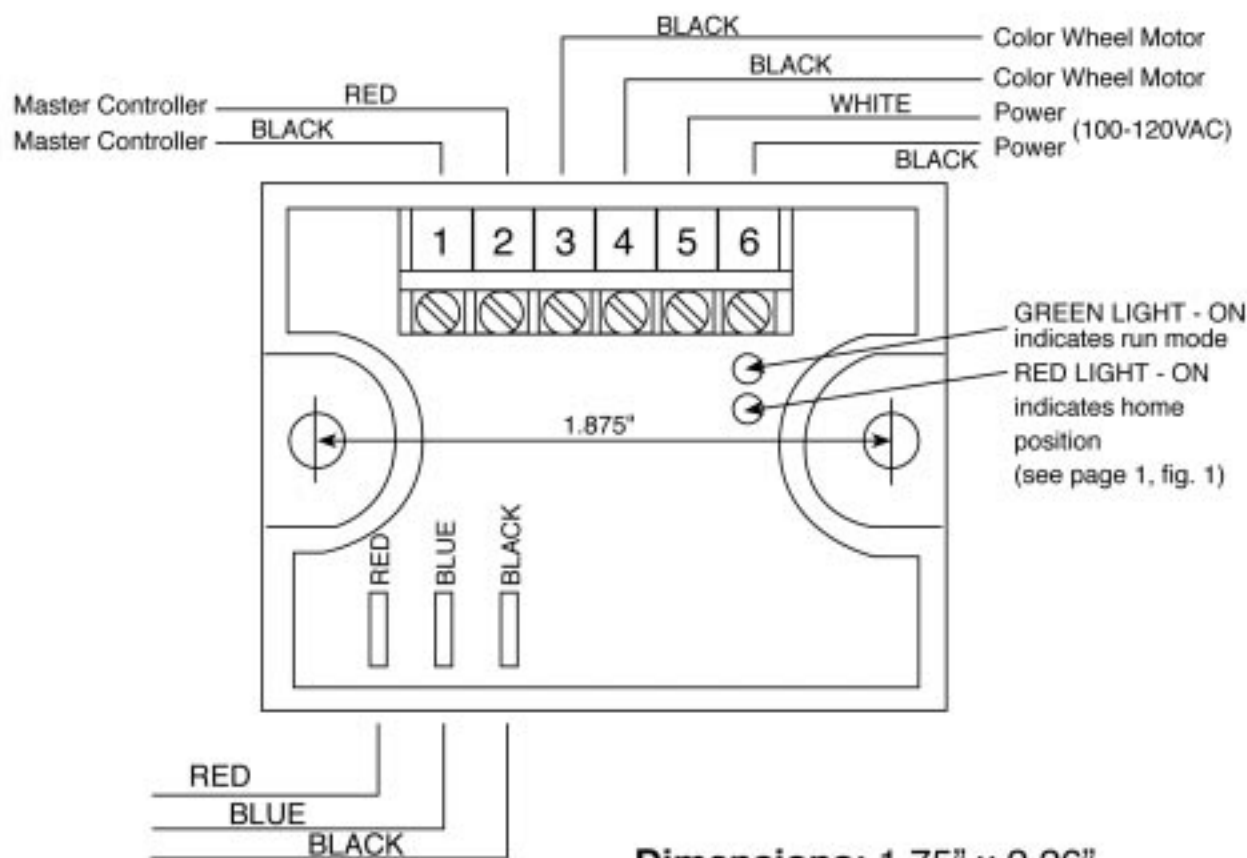
- 600 Volt, type TC control cable
- 18 AWG, 2 conductor
- Vinyl nylon tray cable
- Sunlight resistant, suitable for direct burial.

FIGURE 3



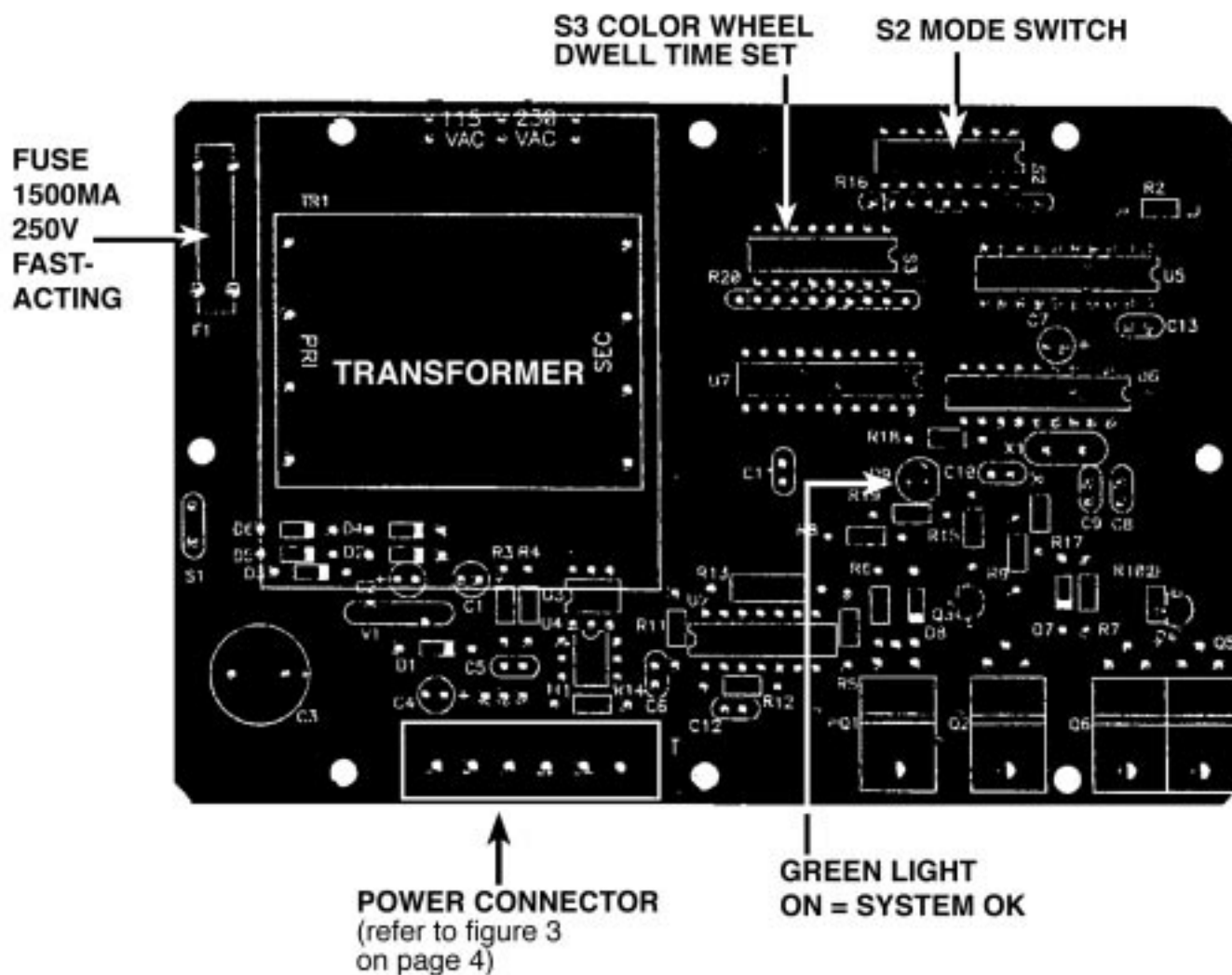
wiring diagram for slave unit in light source

FIGURE 4



Dimensions: 1.75" x 2.26"

FIGURE 5



Note: Remove cover (four screws) from 600C Master Controller for board access.

When Master Controller is first powered up, the wheel will move to the "Home" position. Allow up to 30 seconds before color wheel will perform.

Home color will always stay 10 seconds at "Home". If S3-Function 2 is OFF, then it will stay at "Home" for 10+ seconds.

CAUTION
RISK OF ELECTRICAL SHOCK.
DE-ENERGIZE EQUIPMENT
BEFORE SERVICING.

S2 COLOR DWELL TIME SETTINGS

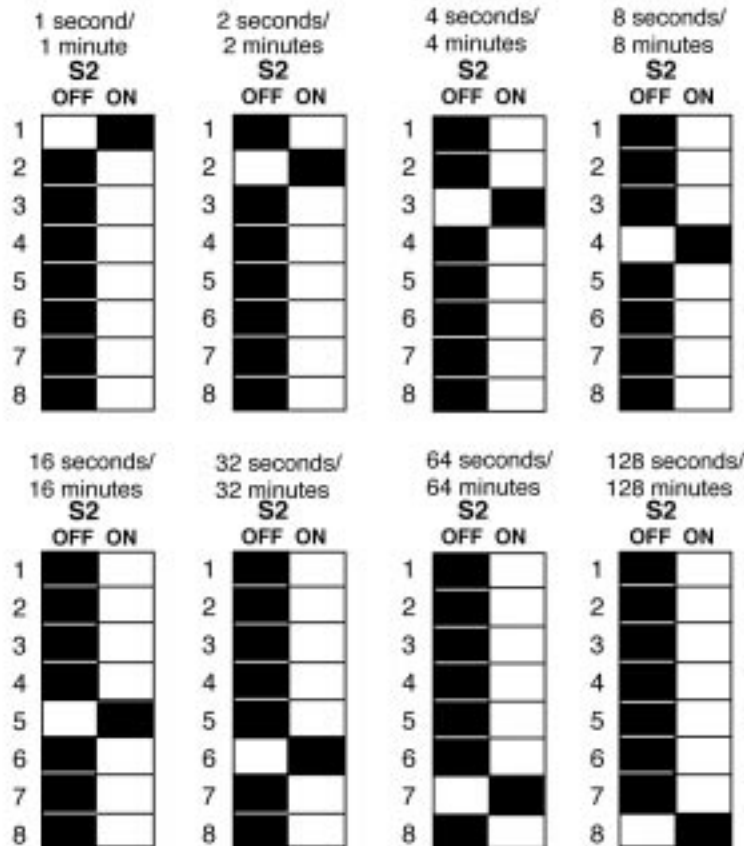
Note: Turn off power before setting switches.

Function: Sets the amount of time the color wheel will remain on each before moving to the next color. (Functions only if the S3-2 is "off")

Note: S3-3 OFF (off) for Seconds (see Fig. 7: Function 1)

S3-3 ON (on) for Minutes (see Fig. 7: Function 2)

FIGURE 6

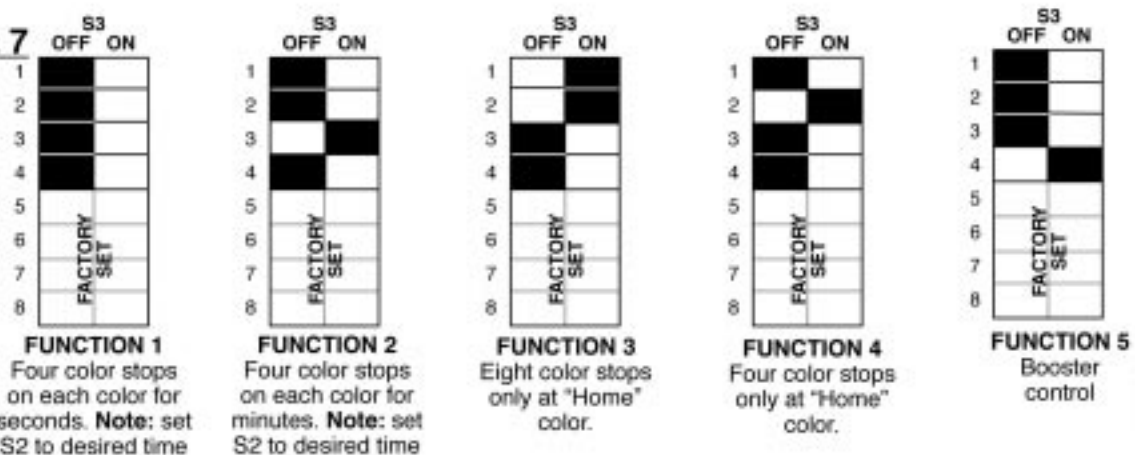


S3 MODE SWITCH

Note: Turn off power before setting switches.

- Function:**
- 1 "ON" for eight color wheel of "OFF" for four color wheel.
 - 2 "ON" to stop at "HOME" only or "OFF" to stop at each color (4-color wheel only).
 - 3 "ON" to stop at each color for minutes or "OFF" for seconds.
 - 4 "ON" for use as a Booster Control or "OFF" for use as Master Control.
 - 5 Factory set.
 - 6 Factory set.
 - 7 Factory set.
 - 8 Factory set.

FIGURE 7



TROUBLESHOOTING

Synchronous Master will not operate:

- Open cover - check if green light is on (refer to diagram on page 3).
If it is off, check power and make sure connection is plugged all the way in.
- Make sure synchronous master is wired properly.
- Check and see if the fuse is blown.
- * Contact your Supervision representative if above steps fail.

Synchronous Master locks up:

- Shut down power for 20 seconds, then turn back on.

NOTE: Before servicing, unplug the synchronous master.

WARRANTY

• **Limited Warranty:** Super Vision® International, Inc. warrants its products, excluding lamps, to be free from defects in material and/or workmanship, under normal use, conditions and service, for a period of ONE YEAR from the date of original purchase. In the event of a defect in material or workmanship during the warranty period, Super Vision® will repair or replace (at its discretion) its products under the conditions of the Warranty. Super Vision® will do so at its expense for the materials but not for shipping. THIS REMEDY IS THE SOLE AND EXCLUSIVE REMEDY FOR ANY AND ALL CLAIMS RELATING TO ANY BREACH OF WARRANTY BY SUPERVISION®. LIMITATIONS, EXCLUSIONS AND OTHER RIGHTS: 1. Except as provided herein, Super Vision® makes no other warranties, express or implied, including but not limited to the implied warranties of merchantability or fitness for a particular purpose, at all such warranties are expressly disclaimed. Some states do not allow the exclusion of an implied warranty, so the above exclusion may not apply to you. 2. Super Vision® is not responsible for defects or malfunctions in and/or damage to Lighting Systems where a sale is specifically made without warranty. In such sales the disclaimers of warranty and liability; set forth above, shall continue to apply. 3. The Warranty covers normal consumer use and does not cover damage which occurs in shipment or damage or failure which results from alteration, accident, theft, misuse, abuse, abnormal use, negligent installation, improper maintenance or where adequate care has not been taken to prevent damage to the Lighting System. 4. THIS WARRANTY GIVES YOU SPECIFIC LEGAL RIGHTS, AND YOU MAY ALSO HAVE OTHER RIGHTS WHICH VARY FROM STATE TO STATE. If you discover a defect or malfunction during the period to which this Warranty applies, write or phone Super Vision® for information on receiving warranty service.