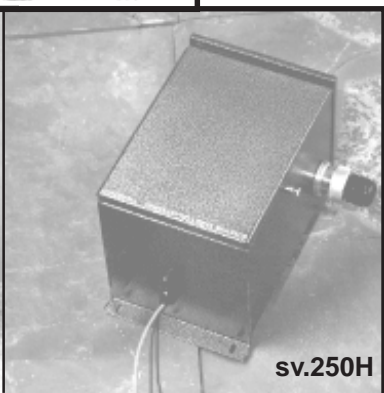


INSTALLATION MANUAL

SYNCHRONOUS MASTER FOR LIGHT SOURCES



HAYWARD®

INTERNAL WIRING DIAGRAM	2
FIELD WIRING DIAGRAM	3
WIRE CONNECTIONS FOR SLAVE UNIT	4
TROUBLESHOOTING	5
WARRANTY	6

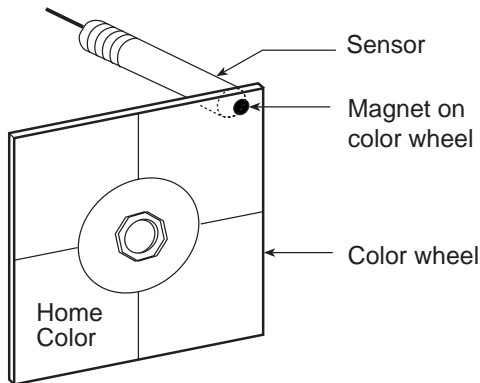
The 300C is designed as an economical alternative to the 600C for small to medium applications, involving 1 to 10 synchronous light sources. Its purpose is to keep those light sources in synchronous operation. The unit is U.L. Approved and is designed to work with 120VAC, 60Hz and 220-240 VAC, 50Hz light sources. The sv.300C can be added internally to the sv.2000 wet/dry, sv.250H, sv.25TH, sv.1500, and sv.4000 to make them into a Master Light Source.

The 300C has the following operating parameters:

Modes: Synchronization of 4 and 8 color wheels
 (Stop at Home for 5 seconds, see Figure 1, page 1)

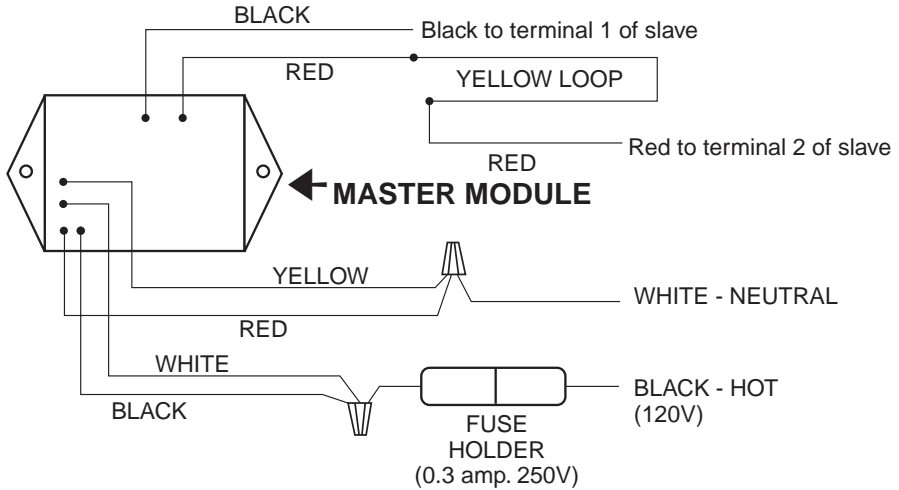
Optional: Add SPST switch to stop on color, 4 and 8 color wheels
 (see Figure 3, page 3)

FIGURE 1

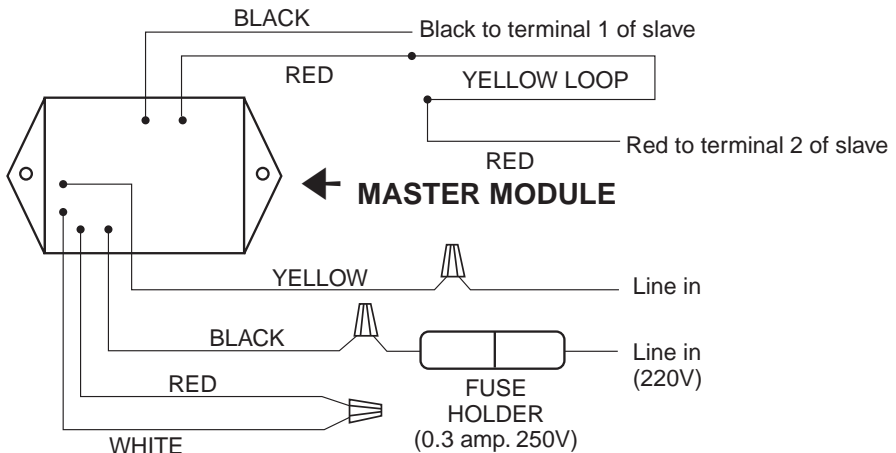


Home Position is when the magnet on the color wheel is aligned with the sensor.

sv.300C Internal Wiring Diagram: 120 VAC, 60Hz

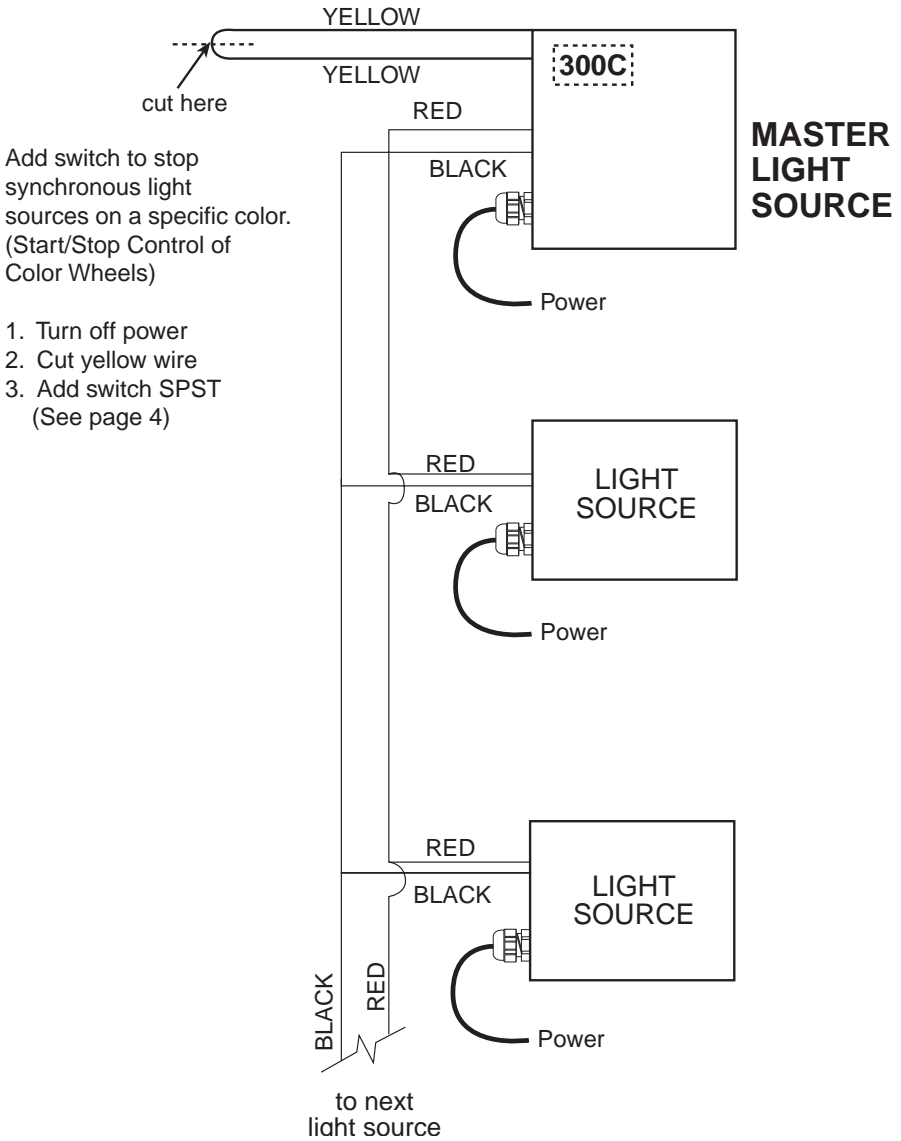


sv.300C Internal Wiring Diagram: 220 - 240 VAC, 50Hz



Note: The Master Module is located in the light source marked MASTER.

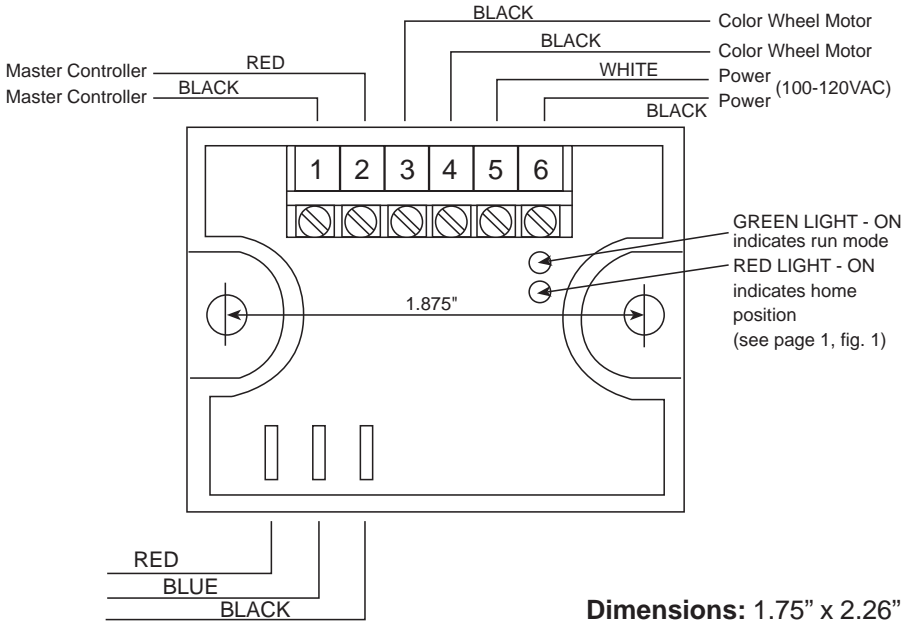
field wiring diagram



Wire type: 600 Volt, type TC control cable, 18 AWG, 2 conductor Vinyl Nylon Tray Cable, sunlight resistant, suitable for direct burial.

Note: Master Light Source can control a maximum of 10 light sources, including itself.

wiring diagram for slave unit in light source



Note: When the Master Light Source is first powered up, the color wheels will move to the “Home Position”. Allow up to 30 seconds before the color wheels will start to turn. After 30 seconds, the color wheel will begin its normal operation. Each time the color wheel reaches the “Home Position” the color wheel will stop for 5 seconds. This cycle will repeat.

Optional Switch: Use only Single Pole Residential or Commercial type AC switches rated at 15 or 20 Amp, 120-277 VAC.

Available in either Toggle or Rocker type styles.

Standard Toggle



Rocker



TROUBLESHOOTING

Light Sources do not synchronize

- Check power to master light source.
 - Check field wiring to all light sources.
 - Check if magnet is located on color wheel.
 - Check slave unit wiring.
- *Contact your Super Vision representative if above steps fail.

Limited Warranty: Super Vision® International, Inc. warrants its products, excluding lamps, to be free from defects in material and/or workmanship, under normal use, conditions and service, for a period of ONE YEAR from the date of original purchase. In the event of a defect in material or workmanship during the warranty period, Super Vision® will repair or replace (at its discretion) its products under the conditions of the Warranty. Super Vision® will do so at its expense for the materials but not for shipping. THIS REMEDY IS THE SOLE AND EXCLUSIVE REMEDY FOR ANY AND ALL CLAIMS RELATING TO ANY BREACH OF WARRANTY BY SUPERVISION®. LIMITATIONS, EXCLUSIONS AND OTHER RIGHTS:

1. Except as provided herein, Super Vision® makes no other warranties, express or implied, including but not limited to the implied warranties of merchantability or fitness for a particular purpose, at all such warranties are expressly disclaimed. Some states do not allow the exclusion of an implied warranty, so the above exclusion may not apply to you.
2. Super Vision® is not responsible for defects or malfunctions in and/or damage to Lighting Systems where a sale is specifically made without warranty. In such sales the disclaimers of warranty and liability; set forth above, shall continue to apply.
3. The Warranty covers normal consumer use and does not cover damage which occurs in shipment or damage or failure which results from alteration, accident, theft, misuse, abuse, abnormal use, negligent installation, improper maintenance or where adequate care has not been taken to prevent damage to the Lighting System.
4. THIS WARRANTY GIVES YOU SPECIFIC LEGAL RIGHTS, AND YOU MAY ALSO HAVE OTHER RIGHTS WHICH VARY FROM STATE TO STATE. If you discover a defect or malfunction during the period to which this Warranty applies, write or phone Super Vision® for information on receiving warranty service.



HAYWARD POOL PRODUCTS, INC.

Hayward Pool Products, Inc.
900 Fairmount Avenue
Elizabeth, NJ 07207
(908) 351-5400

Hayward Pool Products, Inc.
2875 Pomona Boulevard
Pomona, CA 91768
(909) 594-1600

Hayward Pool Products Canada
2880 Plymouth Drive
Oakville, Ontario L6H 5R4
(905) 829-2880

Hayward S.A.
Zone Industrielle de Jumet
8-6040 Charleroi (Belgium)
001-32-71-412-030