

SV750

25

ILLUMINATORS

SV750	
INDOOR	✓
OUTDOOR	
FIBER CAPACITY* *.75mm	2500
CE / UL CUL	✓
LAMP TYPE	35-75W HALOGEN
LAMP LIFE	4 000 HRS
POWER (VAC)	120 220
CONTROL SYSTEM OPTION	NO
MOUNTING	WALL HORIZ
COLOR WHEEL OPTION	4,8-COLOR SPARKLE



The SV750 series illuminator provides 75 watts of incandescent quartz halogen illumination for EndGlow® and SideGlow® applications. Its compact housing fits well into confined spaces and features an optical color wheel for dramatic effects. The SV750 is rated for indoor applications only. Its easy-access door panel allows for easy re-lamping and fast installation and maintenance. UL listed for dry location.

SV750	
SIDEGLOW®	
STAR CEILING	✓
ARCHITECT LIGHTING FIXTURES	
CHANNEL LETTERS	
LANDSCAPE	
POOL & SPA	

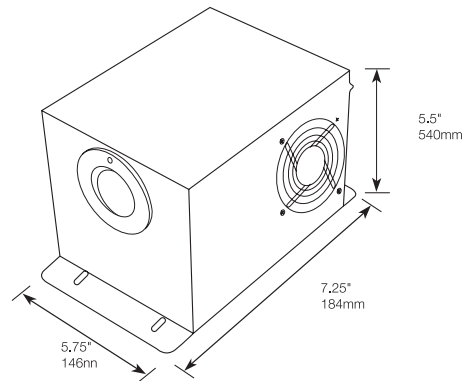


SV750 Replacement Lamp

Part No.: SVEG75MR16

Description: EYC 12 volt, 75 watt quartz halogen lamp

Carton Qty: 1



SV750	VOLTAGE	ENDGLOW COLOR WHEEL	CONTROL SYSTEM
75 Watt Quartz Illuminator	120 - 120 VAC, 60 Hz	ESTDC - Standard (red, green, blue, yellow)	NONE
	220 - 220 VAC, 50 Hz	ESTDS - Sparkle (red, green, blue, yellow) EWS - Sparkle (white) ESG -Standard grey (soft sparkle effect) EC - clear (no color) COLORWHEEL (4 custom colors) COLORWHEEL 8 (8 custom colors)	

SPECIFICATIONS:

UL Listed: Dry location

Electronical Rating:

- 120 VAC, 60 Hz / .70 Amps
- 220 VAC, 50 Hz / .40 Amps

Lamp:

- 75 watt quartz halogen lamp
- 4,000 hours average life

Power Consumption:

- 88 watts max

Fiber Capacity:

- 2500 fibers w/.75mm fibers
- 225 SideGlow® w/.75 mm fibers

Safety Features:

- Internal 122°F/ 50°C thermal protector
- Power inlet 2 map fuse (extra fuse provided)

Ambient Operation Temperature:

- -20°F to 110°F • -29°C to 44°C

Dimension:

- 140mm X 241mm X 146mm
- 5.5" X 9.5" X 5.75"
- add 11" (279.4mm) for fiber head and fiber to "W" position

Weight:

- 7 lbs.
- 3.2 kg.

Finish:

- powder coating, no bare metal, inside or outside

Standard Feature:

- On-Off power and color wheel switch

Mounting / Installation:

- surface or wall mount

Ventilation:

- 21 CFM enclosure cooling 6" (152mm) clearance required to nearest surface. 24" (610mm) clearance required between each illuminator

Warranty:

- 1 year on parts (excluding lamp)

Standards:

- UL / cUL

IP Rating: 20