

ECLIPSE II

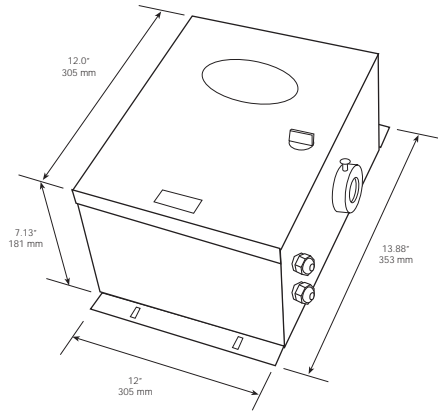
29

ILLUMINATORS

ECLIPSE II	
INDOOR	✓
OUTDOOR	✓
FIBER CAPACITY* *.75mm	500 288(1mm)
CE / UL CUL	✓
LAMP TYPE	250W HID
LAMP LIFE	6,000 HRS
POWER (VAC)	120 220
CONTROL SYSTEM OPTION	SYNC DMX
MOUNTING	HORIZ ONLY
COLOR WHEEL OPTION	4-COLOR 8-COLOR

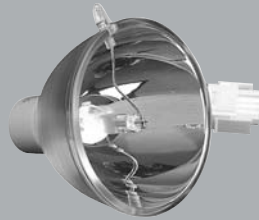


The ECLIPSE II wet and dry UL listed illuminator with a 250 watt HID lamp rated at 6000 hours average life. Recommended for SideGlow® interior and exterior applications.



ECLIPSE II	VOLTAGE	ENDGLOW COLOR WHEEL	CONTROL SYSTEM
250 watt metal halide illuminator	120 - 120 VAC, 60 Hz	N - none 4S-SB - 4 Standard	N - none S - Synchronous D - DMX 512 compatible
LAMP	220 - 220 VAC, 50 Hz	8S-SB - 8 Standard	MS - 300C master module/sync
4200°K	277 - 277 VAC, 60Hz	4C-SB - 4 Custom 8C-SB - 8 Custom	
Note: Refer to color chart for options			

ECLIPSE II	
SIDEGLOW®	✓
STAR CEILING	
ARCHITECT LIGHTING FIXTURES	
CHANNEL LETTERS	✓
LANDSCAPE	
POOL & SPA	



ECLIPSE II Replacement Lamp

Part No.: 03.0250

Description: 250 watt metal halide lamp

Carton Qty: 1

SPECIFICATIONS:

UL Listed: Wet & Dry Locations
(Wet location, a unit must be installed on a horizontal mount (face up))

Electrical Rating:

- 120 VAC, 60 Hz / 4.6 Amps
- 220 VAC, 50 Hz / 3 Amps
- 277 VAC, 60 Hz / ?? Amps

Lamp:

- 250 watt metal halide
- 6000 hours average life
- Color temperature - 4200 K
- Horizontal burn position only

Power Consumption:

- 600 watts max.

Fiber Capacity:

- 500, 0.75mm fibers/
288(1mm) fibers

Safety Features:

- Internal 185°F/ 85° C thermal protector

Ambient Operating Temperature:

- -20°F to 110°F
- -29°C to 44°C

Dimensions:

- 12" W* x 13.80" L x 7.13" H
- 305mm x 353mm x 181mm
- add 18.6" (472mm) for fiberhead and fiber to "W" position

Weight:

- 27 lbs.
- 12.2 kg

Material/Finish:

- Galvannal Metal
- Powder coating, no bare metal, inside or outside
- Water, corrosion and chemical resistant

Mounting / Installation:

- Surface or wall mount-
horizontal fiberhead direction only. Must be flush mounted to surface for proper air seperation between compartments

Ventilation:

- 115 CFM enclosure cooling

Warranty:

- 1 Year (excluding lamp)

Standards:

- UL / cUL

IP Rating: 23