

SaViTM SPOT

• RGB LED • DMX • Indoor/Outdoor/Underwater IP68

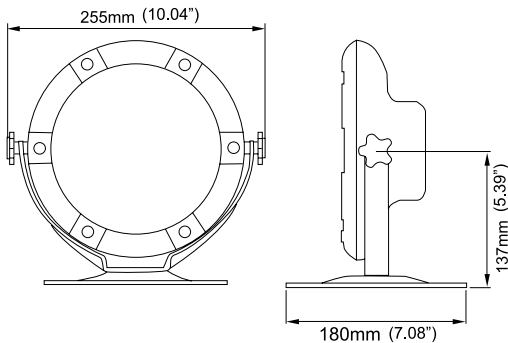
Versatile Full Spectrum RGB LED Fixture



SaVi Spot is a high power water submersible LED lighting fixture. It is the ideal fixture for both indoor and outdoor applications that require full color mixing capabilities, such as fountains, pools, landscape, theme parks, exhibitions, commercial and architectural applications. SaVi Spot has a protection rating of IP68, which is suitable

for submersion up to 15 feet underwater. A proprietary triple water proofing technology is used, making water intrusion virtually impossible.

SaVi Spot is available in various beam angles, including 10°, 25° (standard), 45°, 60°, and 90°. The fixture can be controlled by any DMX controller.



A proprietary power and data distribution system is used to minimize wiring. Up to six SaVi Spots can be directly connected to the power supply and a junction box which links to the power supply. The junction box dramatically reduces cable runs and provides power & data distribution.

SaVi Spot has a cast aluminum housing or optional stainless steel housing with adjustable yoke and base. The housing is designed to work in water treated with bromine and chlorine. SaVi Spot is available in black, white, and Stainless Steel.